

### SLL series

#### Contents of SLL series repair parts kit

Parts name	qty
Filter element	1
Filter cover packing	1
Valve box	2
Diaphragm	2
Tank base packing	1
Nut	2

Fig. 1

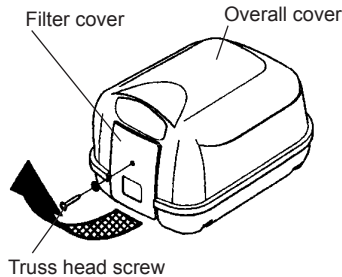


Fig. 2

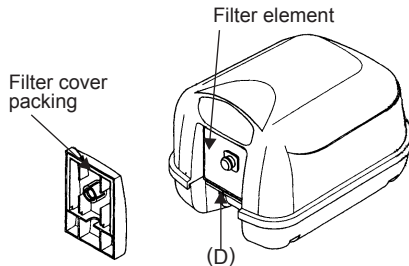


Fig. 3

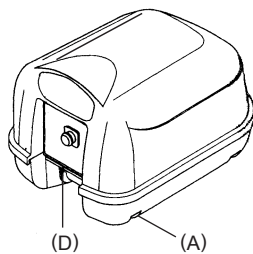


Fig. 4

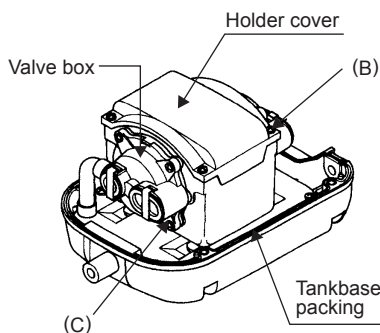
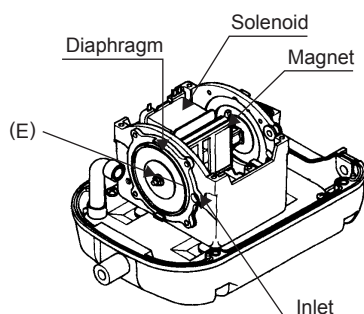


Fig. 5



#### ⚠ WARNING

- Always disconnect the power before servicing. Failure to do so could result in electrical shock, personal injury or death.

#### ⚠ CAUTION

- Clean the filter element quarterly. A clogged filter element can cause overheating or pump failure.

### 1 Filter element cleaning

- Undo the truss head screw and remove the filter cover (Ref. : Fig. 1).
- Remove the filter element and shake out the dust by hand (Ref. : Fig. 2). If it is heavily clogged, wash it with a neutral detergent. Rinse with water and dry it in the shade.
- Reassemble the filter element back in place and press in the filter cover.
- Fix the filter cover by the truss head screw.

### 2 Replacement of filter element, filter cover packing, valve box, diaphragm

- Replace the filter element following the procedure in 1 Filter element cleaning.
- Replace the filter cover packing (Ref. : Fig. 2).
- Undo the screws (A) and remove the overall cover. In case the overall cover is hard to remove, insert a slotted screwdriver in (D) (Ref. : Fig. 3).
- Undo the screws (B) and remove the holder cover (Ref. : Fig. 4).
- Undo the screws (C) and replace the valve boxes of both sides (Ref. : Fig. 4).
- Undo the nuts (E) and remove the diaphragms from the magnet (Ref. : Fig. 5).
- Set the new diaphragms and fasten them with the nuts (E) (Ref. : Fig. 5).

#### Notes :

Use the new nuts (E) in this repair kit.

Note the locating notch for reassembly.

- Assemble by reversing the disassembly procedure.

#### Notes :

Keep the magnet from touching the solenoids.

- Check airflow and sound level before installation.

#### ⚠ WARNING

- If the magnet contacts the solenoids during operation, it will cause damage on parts, abnormal heat, and short circuiting.

#### ⚠ DANGER

- Do not touch live parts. Touching live parts will result in electric shock.